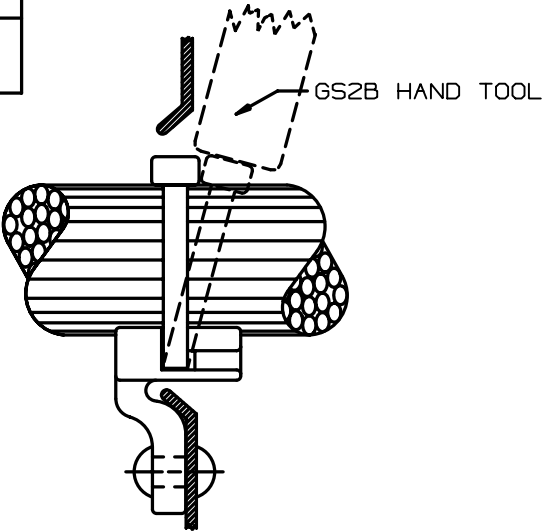
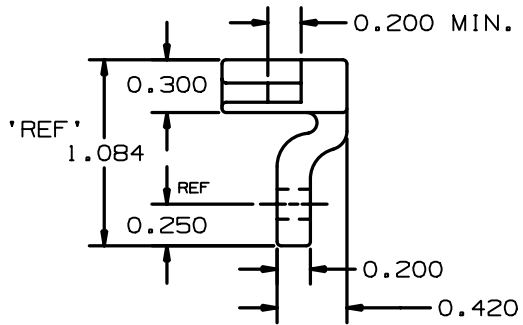
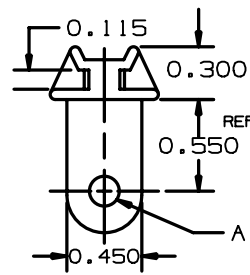
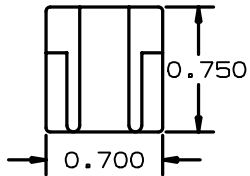


THIS COPY IS PROVIDED ON A RESTRICTED BASIS AND IS NOT TO BE USED IN ANY WAY DETRIMENTAL TO THE INTERESTS OF PANDUIT CORP.

PANDUIT PART NUMBER*	A DIA.	MT'G RIVET	MT'G SCREW	FOR USE WITH THE FOLLOWING PANDUIT CABLE TIES	WEIGHT lbs/100 pcs (g)/100 pcs
LHMS-S5-	0.125 0.135	1/8	#5	M = MINATURE I = INTERMEDIATE S = STANDARD	0.56 (254.24)
LHMS-S6-	0.140 0.150	9/64	#6		0.56 (254.24)
LHMS-S10-	0.190 0.195	3/16	#10		0.54 (245.16)

- NOTES:
- SEE CURRENT PRICE SHEET FOR PART NUMBER SUFFIX DESIGNATION FOR PACKAGE SIZE.
 - CAN SUBSTITUTE #5 SCREW FOR A #6 SELF THREADING SCREW.
 - CAN SUBSTITUTE #6 SCREW FOR A #8 SELF THREADING SCREW.



DIMENSIONS IN BRACKETS ARE METRIC [mm]
 CND FILENAME/LAYERS G00239BT_PB_LHMS_02

PANDUIT CORP. TINLEY PARK, ILLINOIS

LHMS
 LIGHTNING HOLE MOUNT

UNLESS OTHERWISE SPECIFIED, DIMENSIONAL TOLERANCES ARE:
 (.X) ±0.05 (1.3) (.XXX) ±0.010 (0.25)
 (.XX) ±0.02 (0.5) ANGLES ± 5°

UNLESS OTHERWISE SPECIFIED, ALL DIMENSIONS ARE GIVEN IN INCHES, THIRD ANGLE PROJECTION.

REV	DATE	BY	CHK	DESCRIPTION	ECN	R	CUST	SUP
2	6/26/01	LGG		CHG DIM ON 'A' FOR LHMS-S5 WAS .125/.130. ADD REF & CHG DIM FROM 1.100 TO 1.084.	G80239BT			
1	6/26/01	LGG		UPDATED FOR WEB	G80239BT			
R	5/03/95	CBJ		INITIAL RELEASE	G80239BT	R		

DRWN BY CBJ	MAT'L: NYLON 6/6	SCALE 1 : 1
DATE 5/03/95		DRAWING NO. G80239BT
GR'D		CND SIZE A